

Viva

Assembly
Guide

pedestal®

Viva

Congrats on your new Pedestal product, and welcome to the world of Pedestal. You have entered a colorful world of design items made for you to elevate your interior design.

Deeply rooted in the Scandinavian design tradition, our products reflect our commitment to quality, functionality and simplicity.

Let's go on a colorful journey together - where form follows function playfully!

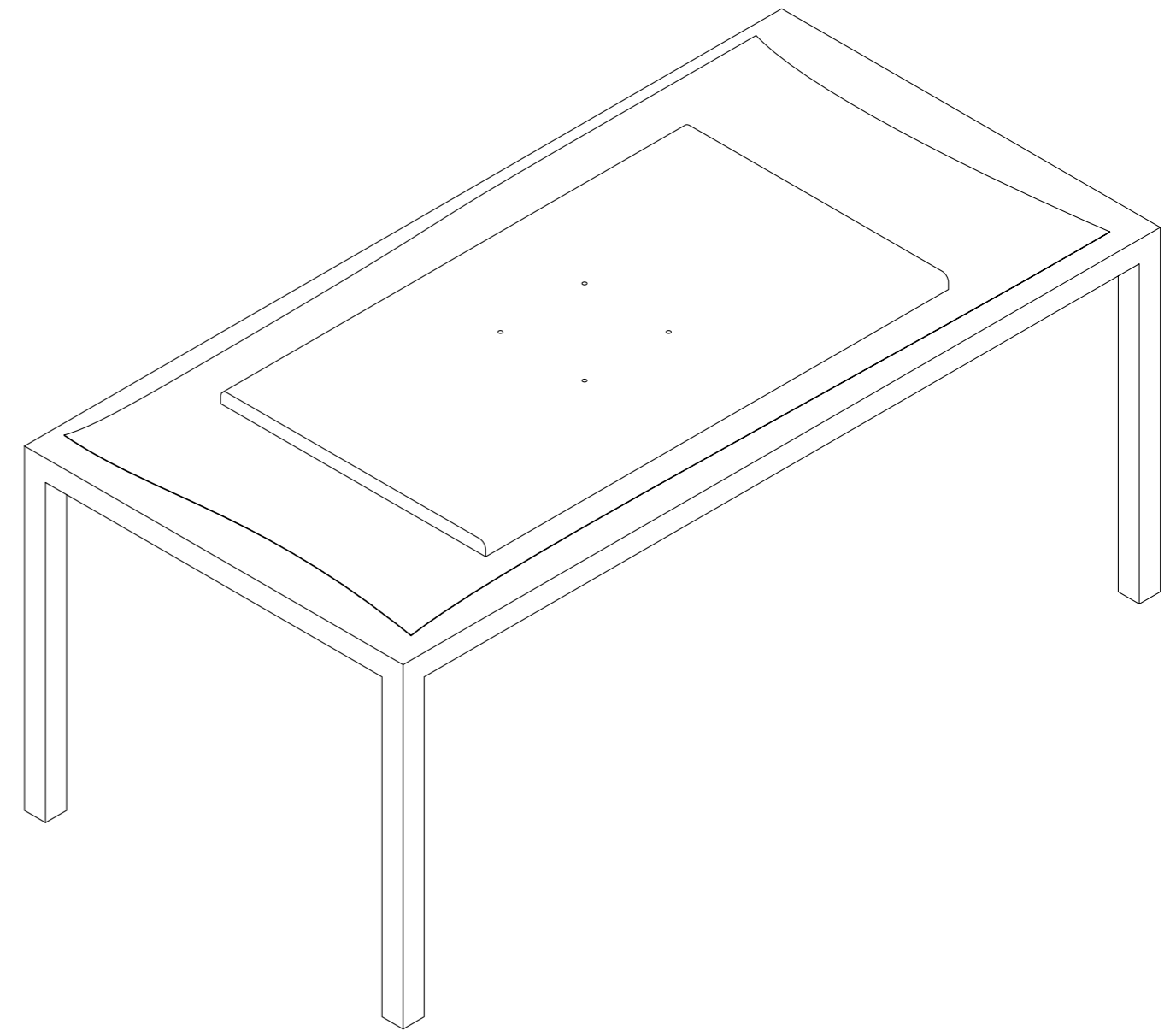
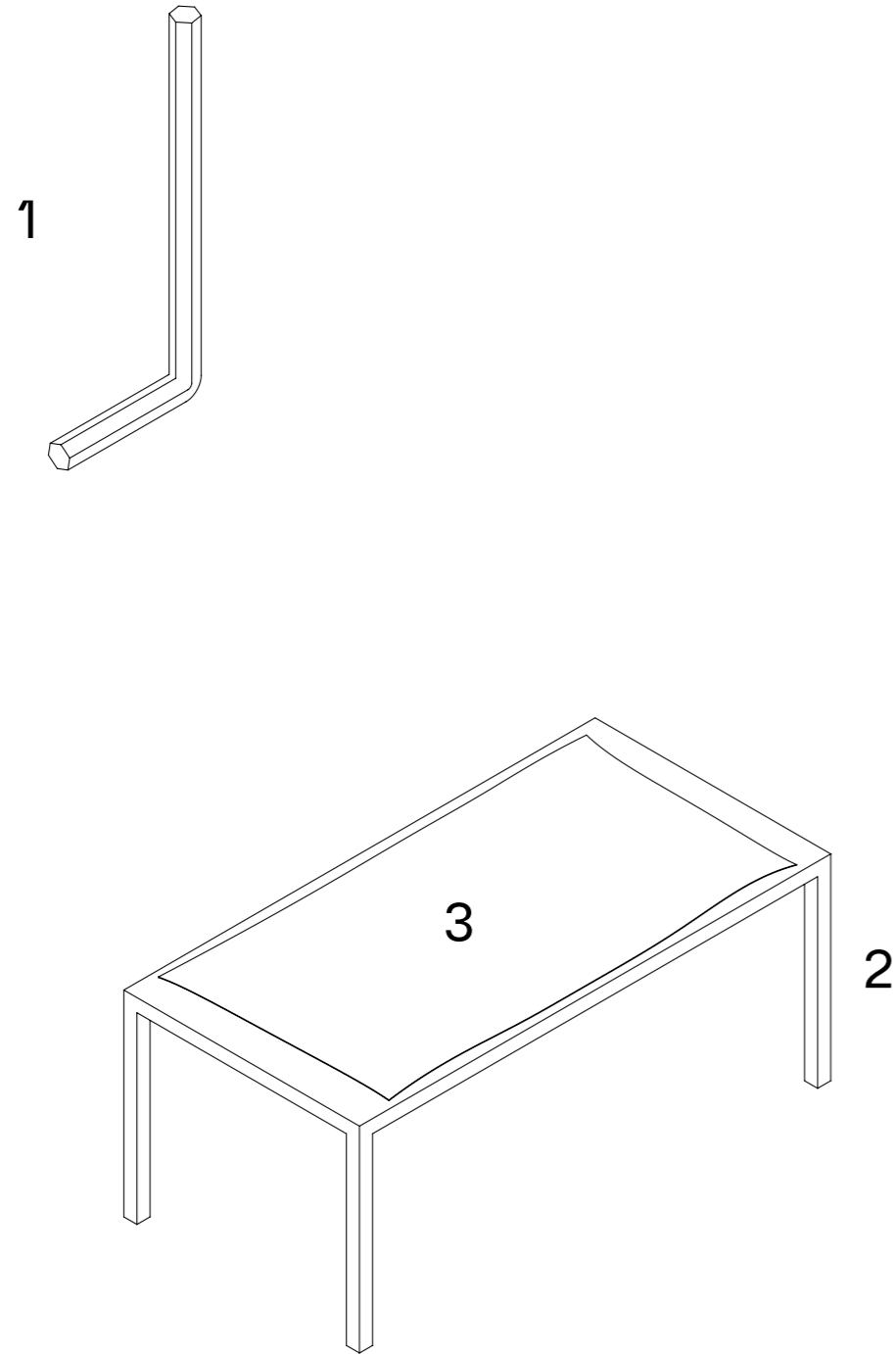
/Pedestal



Use the QR code or type in the URL to access our guides.
www.pedestal.com/pages/manuals

Tools

1.0 Preparation



You will need the tools listed below:

- 1: Hex key (Provided in the hardware bag)
- 2: Table
- 3: Soft cloth or blanket
- 4: Assisting friend

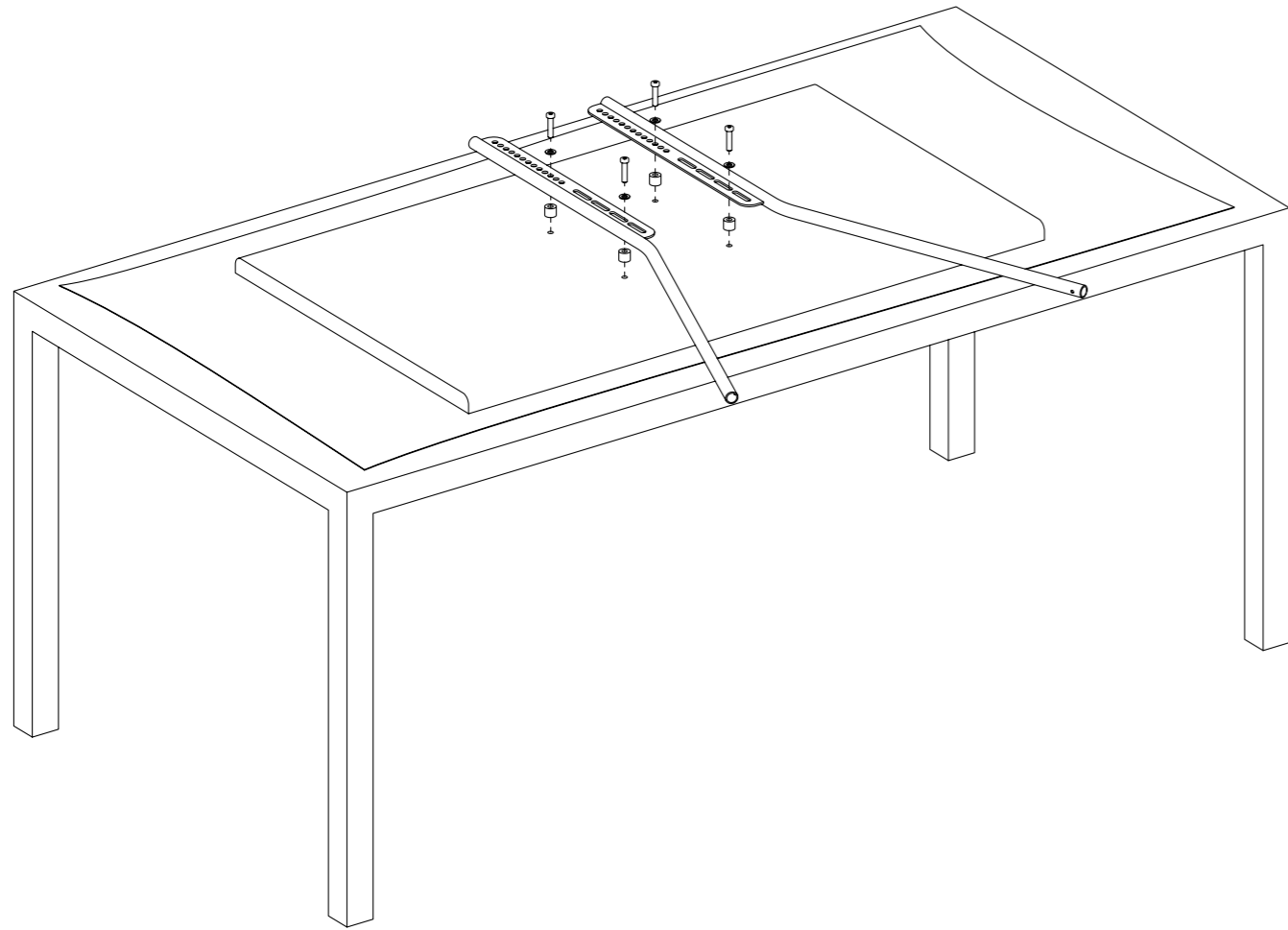
Task

Gently lay your screen, backside up, on a tabletop.
Place a soft cloth or blanket in between to protect both.

Parts

- 1 x Table
- 1 x Soft cloth or blanket

2.0 Mount Screen



Task

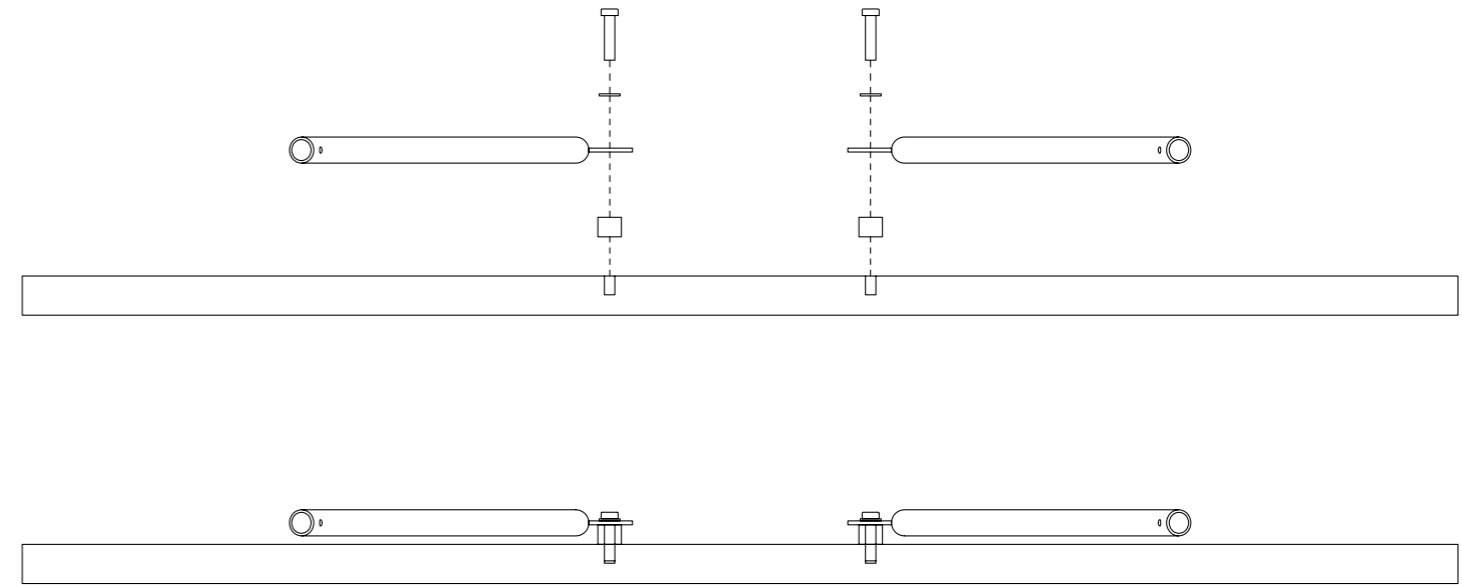
Go ahead and open the hardware bag marked STEP 2.
Identify the appropriate bolt size for your screen and securely attach the legs.
Make sure to use at least four plastic spacers to ensure a proper fit.

Parts

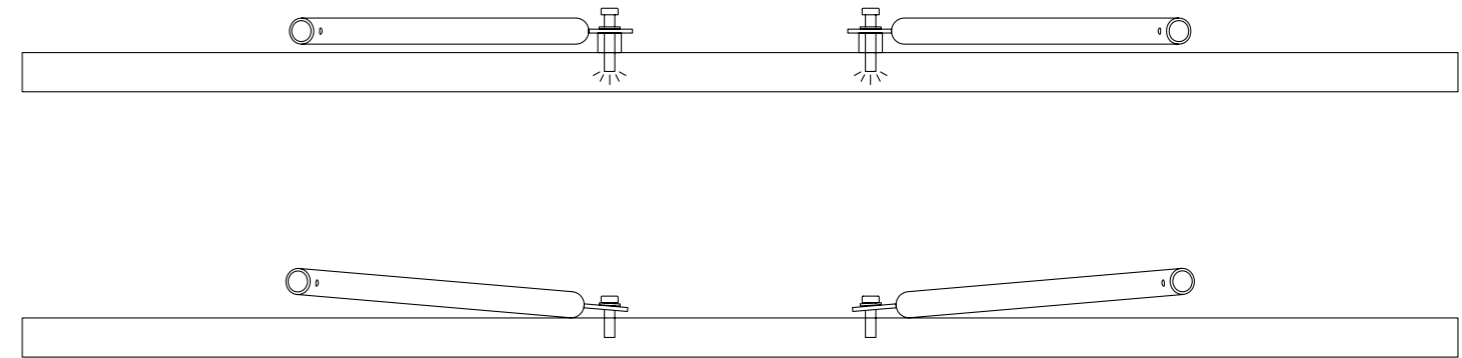
4 x Suitably sized bolts
4 x M6 or M8 Washers
At least 4 x suitably sized plastic spacers

2.1 Fitting

Correct fit



Incorrect fit



Do not panic!

You won't be needing the surplus hardware in the bag. The varied selection is there to cater to different screens. To ensure a proper fit, identify the correct combination of bolts, washers, and plastic spacers.

Please note that it may require more than one layer of spacers.

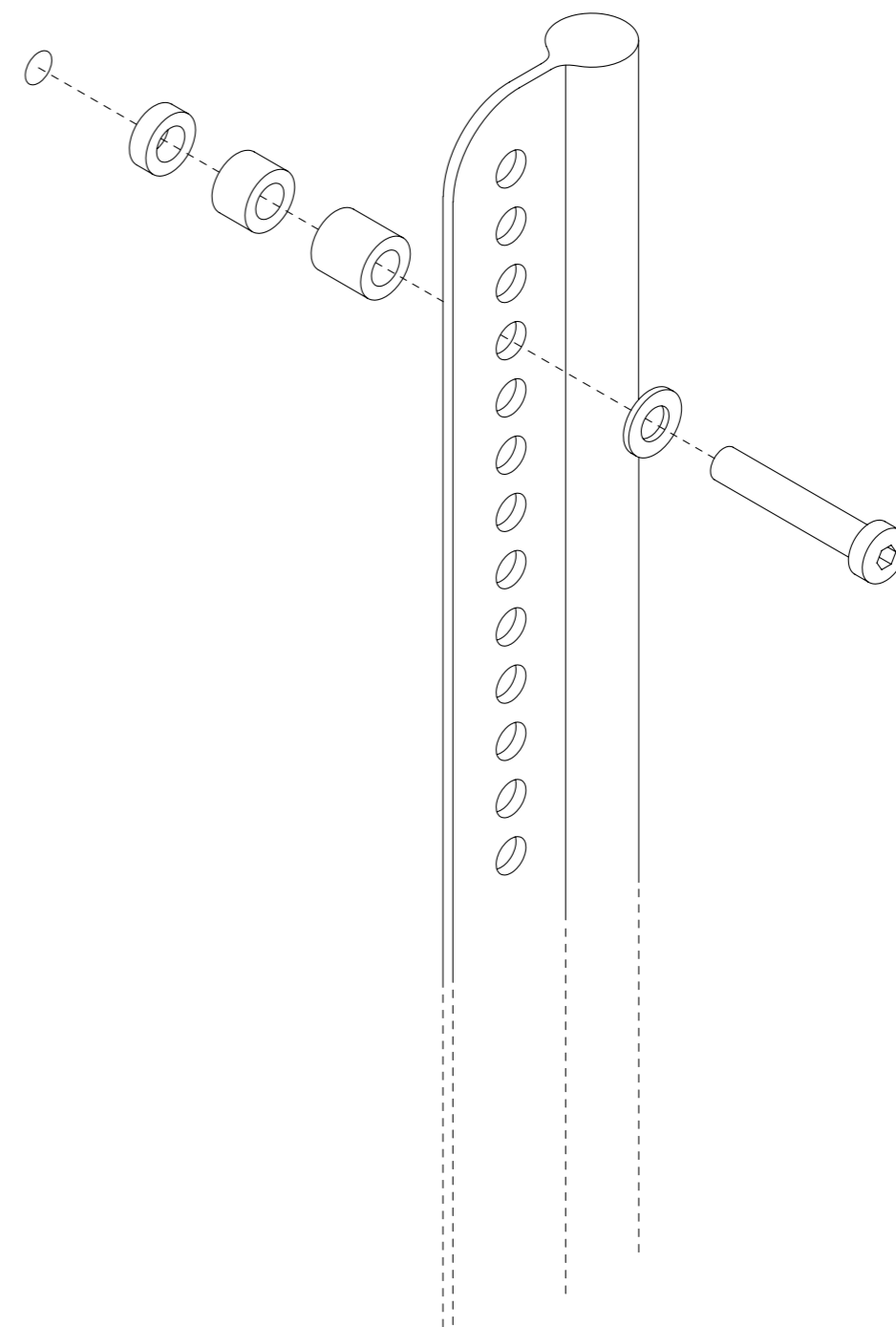
Position the spacers between the screen and brackets to prevent contact.

Proceed to thread the bolts with washers through the brackets and plastic spacers. Tighten all bolts until snug, being cautious not to overtighten and risk damaging the screen.

If the bolts are too long, add more spacers or opt for shorter bolts as needed.

Now, go ahead and conquer the rest of the assembly game!

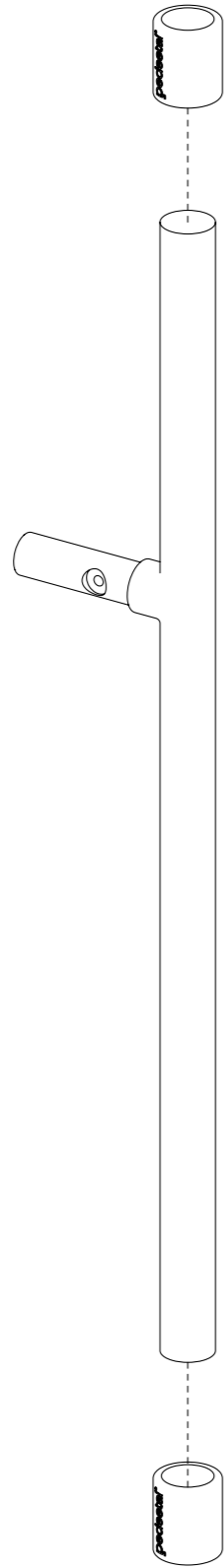
Struggling to find
the ideal spacer?



No problem!

Just stack 'em up, mix and match for the perfect fit!

3.0 Floor protection



Task

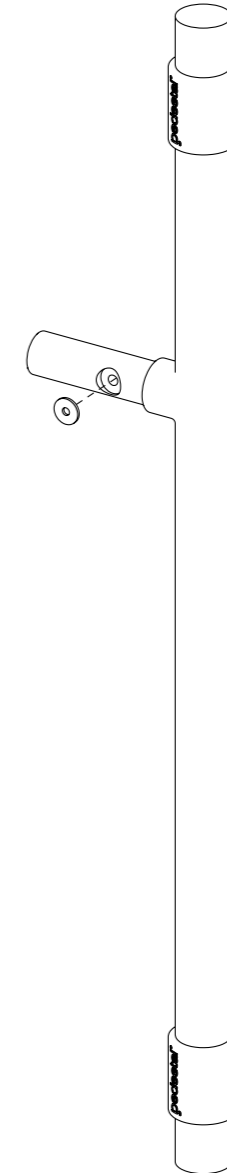
Slide the gliders onto the tube.
Two on each foot.

Parts

4 x Silicone gliders

pedestal®

3.1 Insert plastic washer



Task

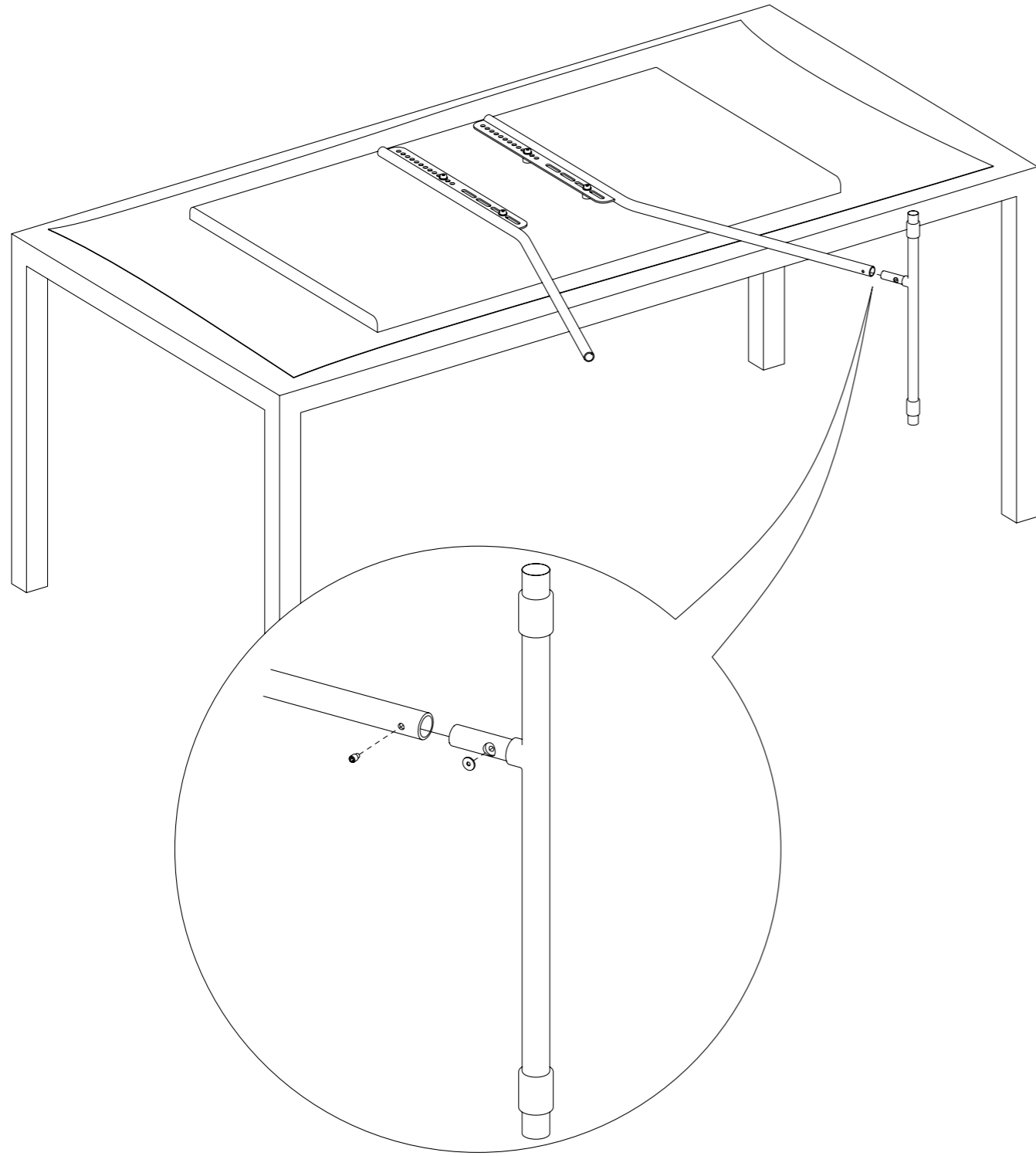
Insert the plastic washer on both feet.
This is a tight fit - use the hex key to push it securely into place.

Parts

2 x Plastic washers



4.0 Mount Feet



Task

With the screen still resting flat on the table, fully insert the feet into the legs. Proceed to screw in the set-screw, **ensuring not to over-tighten as it could damage the thread.**

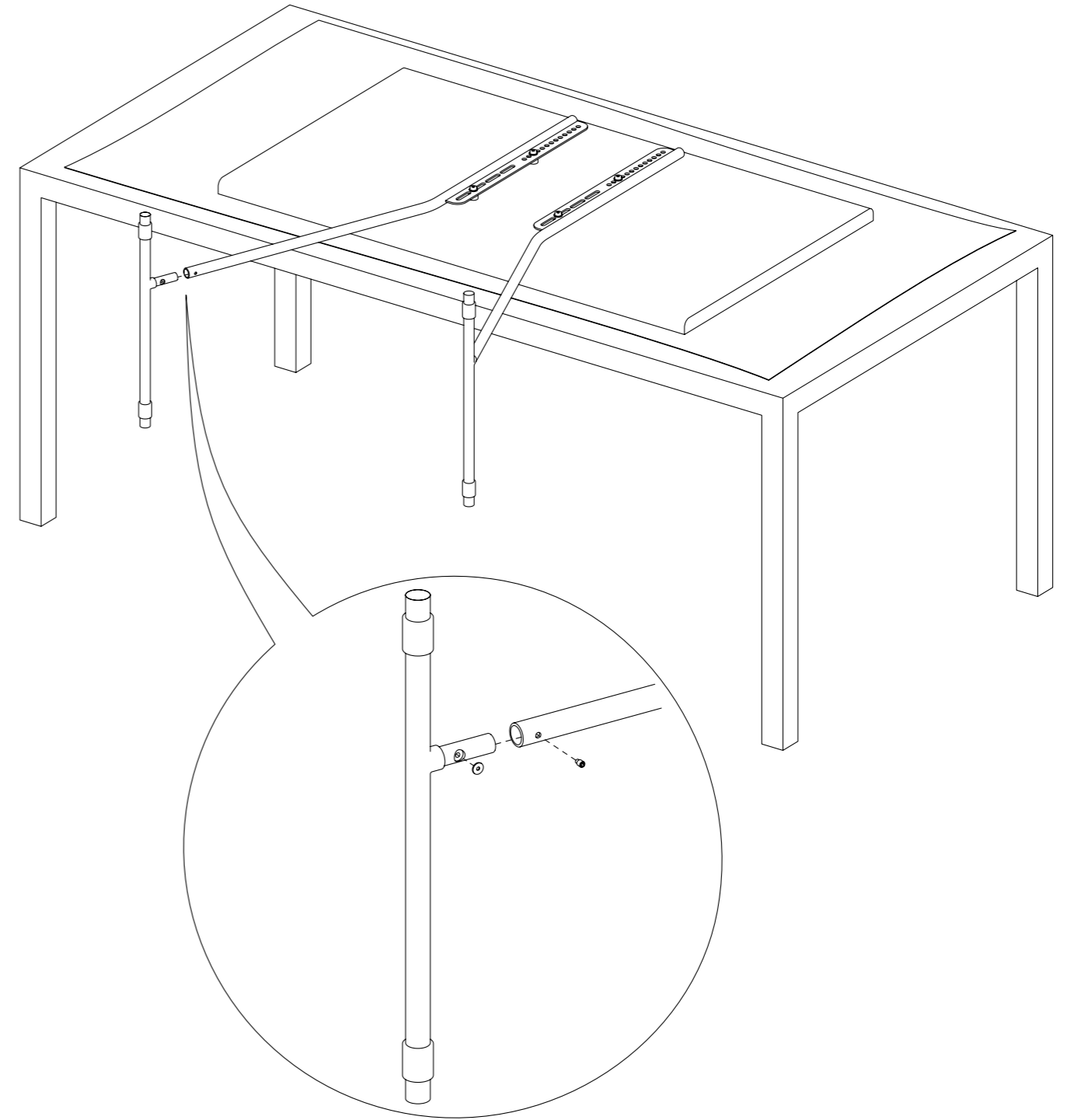
Once correctly seated, the set screw should protrude approximately 1 - 2 mm.

Parts

2 x Set-screw



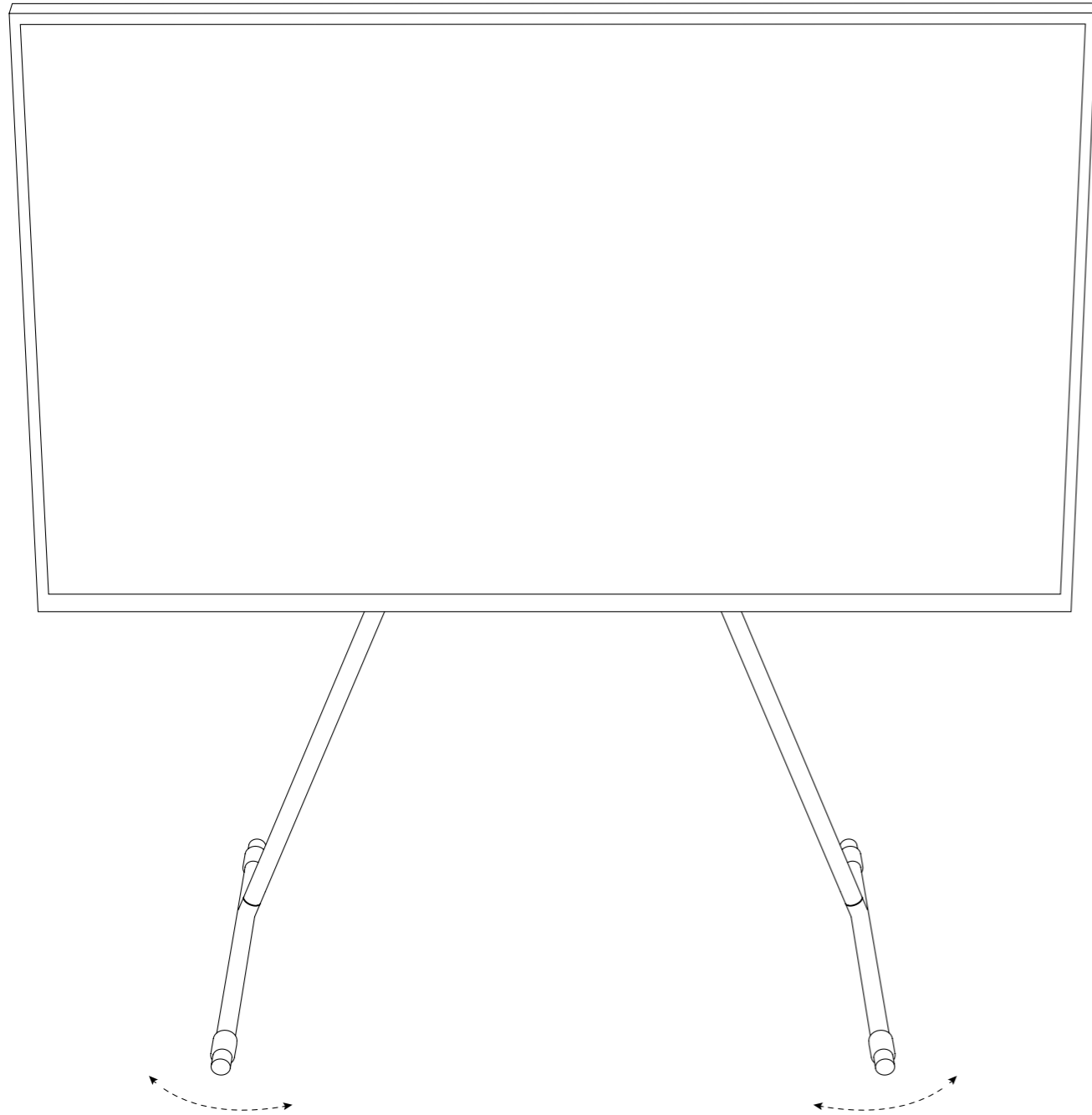
4.1 Mount Feet



Task

Time for a déjà vu!
Mount the other foot just like you did with its partner.

5.0 Adjust feet

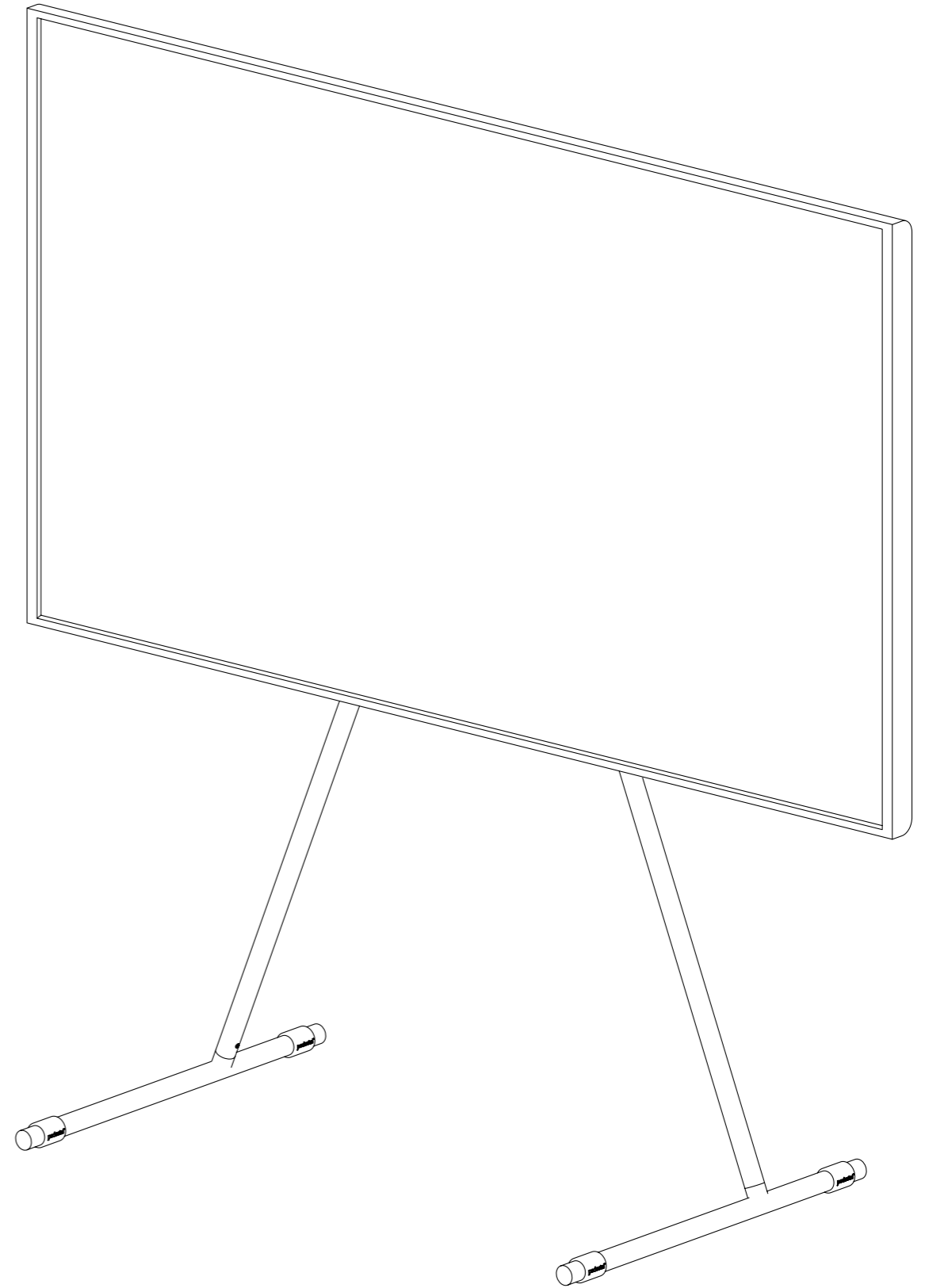


Task

If the feet are slightly misaligned — don't worry! Simply give them a nudge in the right direction.

If necessary, tighten the set screw, but keep it cool, don't go overboard and risk damaging the thread with superhero strength.

5.1 All done!



Task

Get those wires connected, kick back, and let the binge-watching begin!



pedestal®

